

Index

Installation instructions.....	2
Pre-installation	3
Stonetto Data Sheet # 720145 - 720150, 720166 - 720171	4
Technical Drawing - Self-supporting Installation on Screed	5
Technical Drawing - Installation with Support	6
Technical Drawing - Installation with Support Frame	9

Installation instructions

PLANNING

Before starting the installation, plan the layout in detail, taking the site conditions into consideration.

NORMAL USE

The Stonetto shower tray is designed for installation directly on the floor with a support or support frame. Any other usage is deemed as not corresponding with normal usage. Duravit AG assumes no liability for abnormal usage.

TARGET READERSHIP AND QUALIFICATIONS

The shower tray must only be installed by trained plumbing engineers.

Pre-installation

INSTALLATION LOCATION / INSTALLATION ROOM

- > Make sure that the installation location fulfils the following criteria
- Doors / External access**
- > Ensure that doors or other access openings are large enough to accommodate transport dimensions, keeping in mind the weight and need for sufficient manoeuvring room

Required area Allow for enough space around the shower tray for the installation.

- Floor**
- Completely level
 - At a right angle to the wall
 - Note the overall strength of the floor structure including the floor finish
 - No underfloor heating should be located under the shower tray

NOTICE!
The residual humidity of the screed must not exceed 2 CM% (calcium carbide method) at the start of installation.

- Wall**
- Tiled wall
 - At a right angle to the shower tray / floor
 - Completely straight
 - Note the overall strength of the wall structure including the wall finish.

WATER INSTALLATION

All work associated with the water connection may only be undertaken by a qualified plumber. The installation must be in accordance with country-specific standards and local regulations.

Water connection

- Connections for the water supply and drains must be in compliance with the currently valid standards and public regulations.
- Position the water drain (DN 50) flush to the mounting surface or out of the wall directly above the mounting surface; see drawing for recommended area.

SEALING LAYER

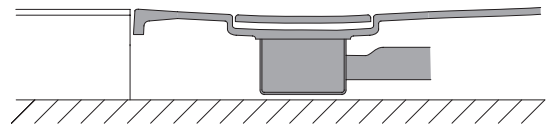
NOTE

Product and / or material damage due to no seal.

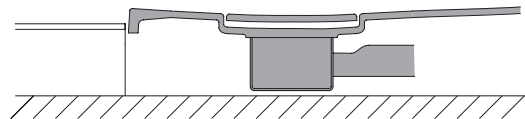
- > A compound seal is absolutely essential behind and below the shower tray. The planner must include this across all trades.
- > The sealing set # 792803 is only to be used to create a second sealing level.
- > The installation must be in accordance with country-specific standards and local regulations. Please observe the current version of the data sheets issued by the Central Association of the German Construction Industry (ZDB data sheets).

RANGE OF APPLICATIONS

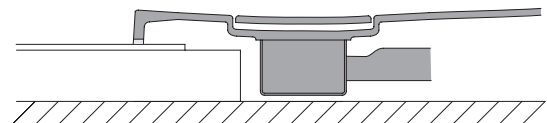
Flush with the floor



Semi-recessed



Mounted on tiles



INCREASED NOISE PROTECTION

Duravit shower trays made of DuraSolid A and DuraSolid Q have excellent sound properties.

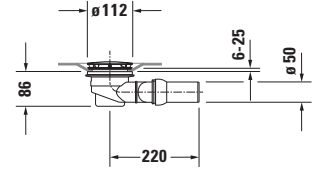
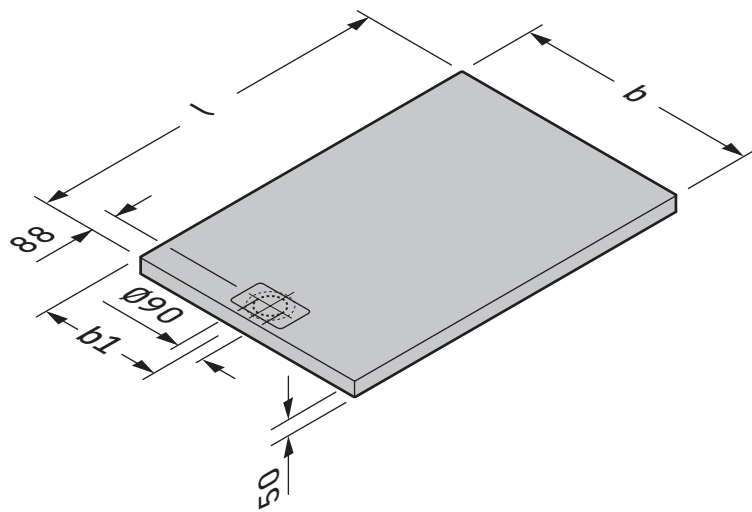
The shower trays meet the more stringent noise protection requirements of DIN 4109, the noise protection level III of VDI 4100 as well as the requirements of the Swiss noise protection standard SIA 181 (e.g. for the typical "bathroom over bathroom" room layout) when installed on a self-supporting structure on screed.

The noise reduction gasket for DuraSolid® shower trays (#791372) is needed for more stringent noise protection requirements in accordance with DIN 4109/VDI 4100 and SIA 181 when installed with a support frame on an unfinished floor.

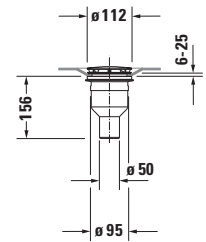
NON-SLIP PROPERTY

Duravit shower trays made of DuraSolid A and DuraSolid Q achieve evaluation category B for wet barefoot areas without any further coating because of their material properties (DIN 51097).

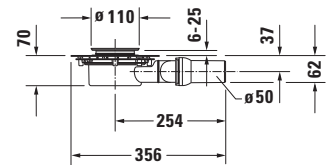
Stonetto Data Sheet # 720145 - 720150, 720166 - 720171, 720217 - 720218



Drain # 790263



Drain # 790269



Drain # 791243

Technical data

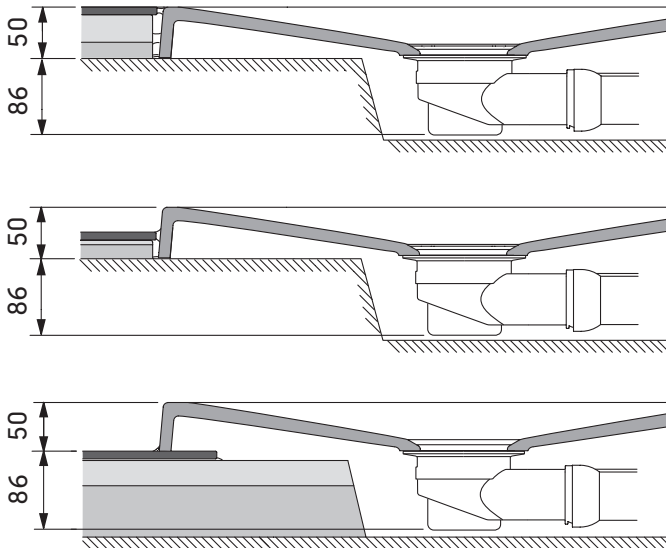
	Height	incl. support (without adhesive layer)	incl. support frame*	incl. support frame with shower tray feet for a raised floor structure"		
Shower tray	50	120	130 - 150	150 - 200		
Net weight kg	Shipping weight kg	Shipping dimensions mm l x w x h	Product dimensions mm l x b	Drain position mm (b1)	Order no.	
	24.0	26.3	965 x 920 x 100	900 x 800	400	720145 .. 0 00 0000
	25.0	27.1	965 x 920 x 100	900 x 900	450	720146 .. 0 00 0000
	26.0	28.6	1027 x 845 x 100	1000 x 800	400	720147 .. 0 00 0000
	29.0	32.7	1065 x 1065 x 100	1000 x 900	450	720166 .. 0 00 0000
	32.0	35.5	1065 x 1065 x 100	1000 x 1000	500	720167 .. 0 00 0000
	31.0	33.4	1027 x 845 x 100	1200 x 800	400	720148 .. 0 00 0000
	37.0	41.5	1265 x 1265 x 100	1200 x 1000	500	720168 .. 0 00 0000
	46.0	50.3	1265 x 1265 x 100	1200 x 1200	600	720169 .. 0 00 0000
	36.0	39.0	1465 x 950 x 100	1200 x 900	450	720149 .. 0 00 0000
	32.0	34.8	1465 x 950 x 100	1400 x 800	400	720217 .. 0 00 0000
	37.0	39.8	1465 x 950 x 100	1400 x 900	450	720150 .. 0 00 0000
	45.0	49.9	1665 x 1065 x 100	1400 x 1000	500	720170 .. 0 00 0000
	40.0	44.7	1665 x 1065 x 100	1600 x 900	450	720218 .. 0 00 0000
	52.0	56.7	1665 x 1065 x 100	1600 x 1000	500	720171 .. 0 00 0000

*Increased noise protection: The system height is increased by an additional 9 mm when using the noise reduction gasket (#791372).

Technical Drawing - Self-supporting Installation on Screed

Required products:

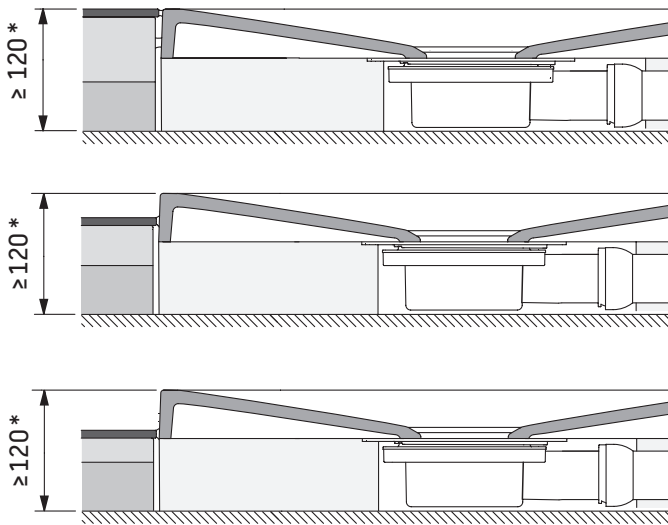
- **Shower tray**
 - # 720145 XX 0 00 0000 - 720150 XX 0 00 0000
 - # 720166 XX 0 00 0000 - 720171 XX 0 00 0000
 - # 720217 XX 0 00 0000 + 720218 XX 0 00 0000
- **Outlet drain, horizontal or vertical outflow**
 - Horizontal # 790263 00 0 00 1000
 - Vertical # 790269 00 0 00 1000
- **Rubber profile (optional)**
790126 00 0 00 0000
- **Sealing set for installation flush with floor (optional)**
792803 00 0 00 0000
- **Alkoxy-based silicone (free of acetic acid)**



Technical Drawing - Installation with Support # 792407

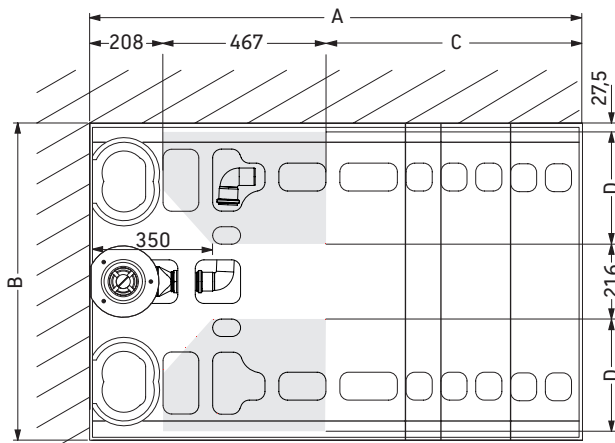
Required products:

- **Shower tray**
 # 720145 XX 0 00 0000 - 720150 XX 0 00 0000 +
 # 720166 XX 0 00 0000
 #720217 XX 0 00 0000 + 720218 XX 0 00 0000
- **Support**
 # 792407 00 0 00 0000
- **Outlet drain**
 # 791243 00 0 00 0000
- **Rubber profile (optional)**
 # 790126 00 0 00 0000
- **Sealing set for installation flush with floor (optional)**
 # 792803 00 0 00 0000
- **Alkoxy-based silicone (free of acetic acid)**



* Shower tray incl. support (without adhesive layer)

Drain connection position

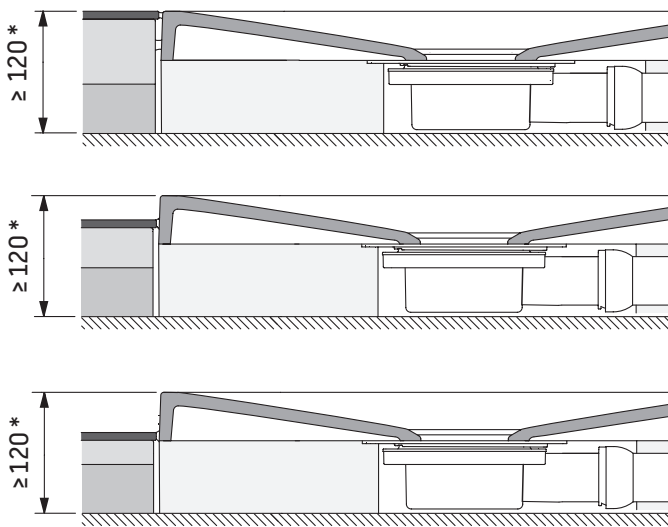


Hollow in screed for	A	B	C	D
720145	915	815	240	272
720146	915	915	240	322
720147	1015	815	340	272
720148	1215	815	540	272
720149	1215	915	540	322
720150	1415	915	740	322
720166	1015	915	340	322
720217	1415	815	740	272
720218	1615	915	940	322

Technical Drawing - Installation with Support # 792411

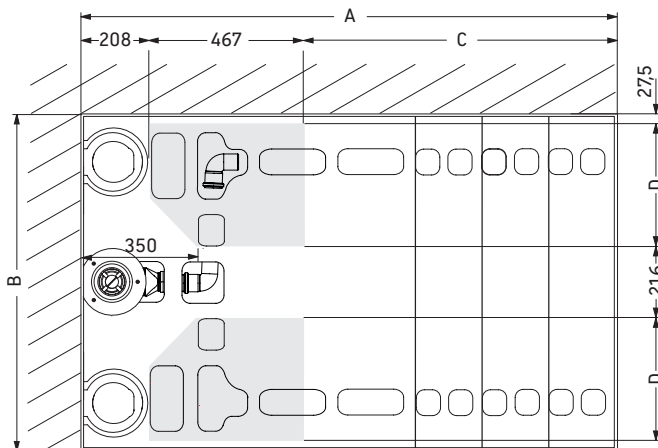
Required products:

- **Shower tray**
720167 XX 0 00 0000 - 720168 XX 0 00 0000
720170 XX 0 00 0000 - 720171 XX 0 00 0000
- **Support**
792411 00 0 00 0000
- **Outlet drain**
791243 00 0 00 0000
- **Rubber profile (optional)**
790126 00 0 00 0000
- **Sealing set for installation flush with floor (optional)**
792803 00 0 00 0000
- **Alkoxy-based silicone (free of acetic acid)**



* Shower tray incl. support (without adhesive layer)

Drain connection position

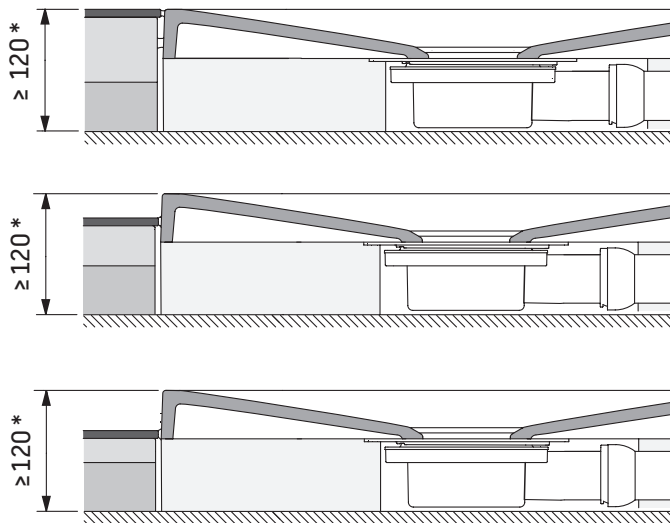


Hollow in screed for	A	B	C	D
720167	1015	1015	340	372
720168	1215	1015	540	372
720170	1415	1015	740	372
720171	1615	1015	940	372

Technical Drawing - Installation with Support # 792412

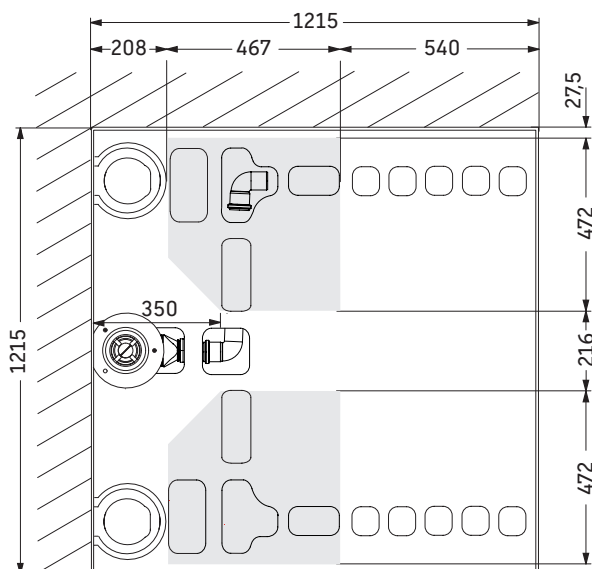
Required products:

- Shower tray
720169 XX 0 00 0000
- Support
792412 00 0 00 0000
- Outlet drain
791243 00 0 00 0000
- Rubber profile (optional)
790126 00 0 00 0000
- Sealing set for installation flush with floor (optional)
792803 00 0 00 0000
- Alkoxy-based silicone (free of acetic acid)



* Shower tray incl. support (without adhesive layer)

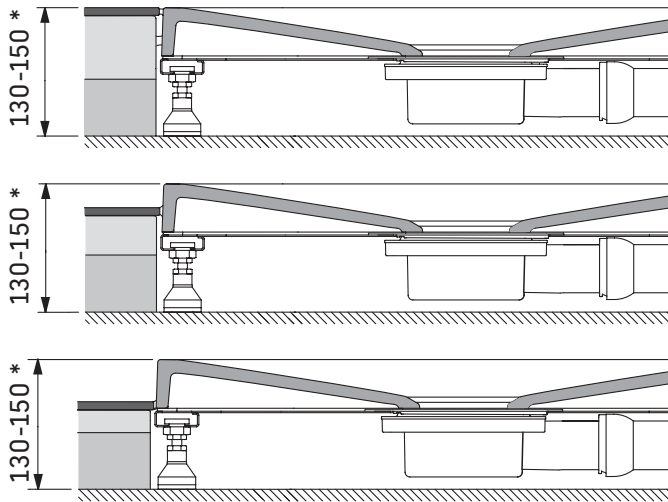
Drain connection position



Technical Drawing - Installation with Support Frame # 791100 - 791108

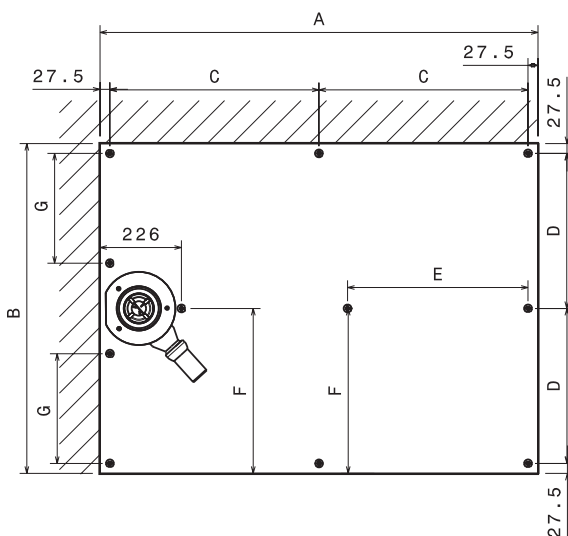
Required products:

- **Shower tray**
720145 XX 0 00 0000 - 720149 XX 0 00 0000 +
720166 XX 0 00 0000 - # 720169 XX 0 00 0000
- **Support frame**
791100 00 0 00 0000 - 791108 00 0 00 0000
- **Outlet drain**
791243 00 0 00 0000
- **Rubber profile** (optional)
790126 00 0 00 0000
- **Shower tray feet**, for raised floor structure (optional)
790173 00 0 00 0000
- **Sealing set for installation flush with floor** (optional)
792803 00 0 00 0000
- **Noise reduction gasket for shower trays made of DuraSolid®** (optional)
791372 00 0 00 0000
- **Alkoxy-based silicone (free of acetic acid)**



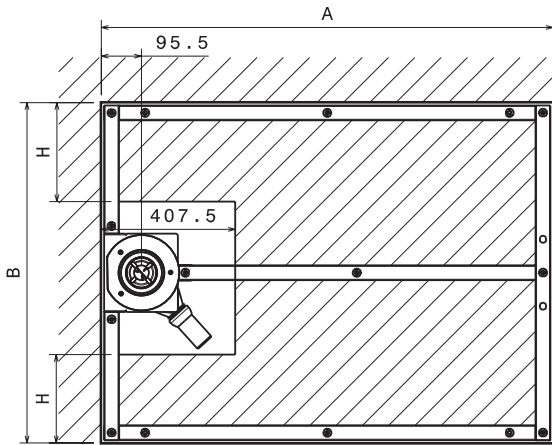
* Height with shower tray feet # 790173: 150-200

Feet position



Hollow in screed for	A	B	C	D	E	F	G
#791100	915	815	430	380	350,8	407,5	254,5
#791101	915	915	430	430	350,8	457,5	304,5
#791102	1015	815	480	380	400,8	407,5	254,5
#791103	1015	915	480	430	400,8	457,5	304,5
#791104	1015	1015	480	480	400,8	507,5	354,5
#791105	1215	815	580	380	500,8	407,5	254,5
#791106	1215	915	580	430	500,8	457,5	304,5
#791107	1215	1015	580	480	500,8	507,5	354,5
#791108	1215	1215	580	580	500,8	607,5	454,5

Drain connection position

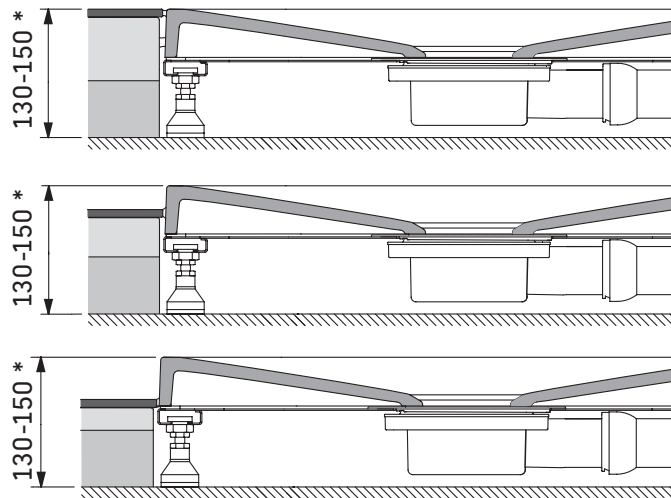


Hollow in screed for	A	B	H
#791100	915	815	157,5
#791101	915	915	207,5
#791102	1015	815	157,5
#791103	1015	915	207,5
#791104	1015	1015	257,5
#791105	1215	815	157,5
#791106	1215	915	207,5
#791107	1215	1015	257,5
#791108	1215	1215	357,5

Technical Drawing - Installation with Support Frame # 791109 - 791113

Required products:

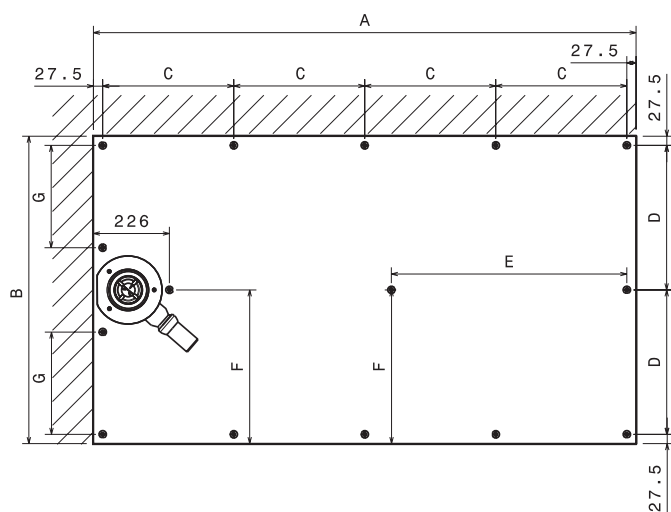
- **Shower tray**
 - # 720150 XX 0 00 0000 +
 - # 720170 XX 0 00 0000 - 720171 XX 0 00 0000 +
 - # 720217 XX 0 00 0000 - 720218 XX 0 00 0000
- **Support frame**
 - # 791109 00 0 00 0000 - 791113 00 0 00 0000
- **Outlet drain**
 - # 791243 00 0 00 0000
- **Rubber profile (optional)**
 - # 790126 00 0 00 0000
- **Shower tray feet, for raised floor structure (optional)**
 - # 790173 00 0 00 0000
- **Sealing set for installation flush with floor (optional)**
 - # 792803 00 0 00 0000
- **Noise reduction gasket for shower trays made of DuraSolid® (optional)**
 - # 791372 00 0 00 0000
- **Alkoxy-based silicone (free of acetic acid)**



Feet position

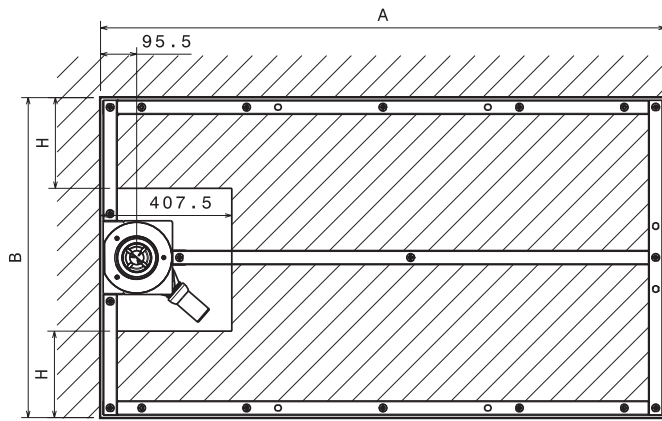
* Height with shower tray feet # 790173: 150-200

Drain connection position



Hollow in screed for	A	B	C	D	E	F	G
# 791109	1415	815	340	380	600,8	407,5	254,5
# 791110	1415	915	340	430	600,8	457,5	304,5
# 791111	1415	1015	340	480	600,8	507,5	354,5
# 791112	1615	915	390	430	700,8	457,5	304,5
# 791113	1615	1015	390	480	700,8	507,5	354,5

Drain connection position



Hollow in screed for	A	B	H
# 791109	1415	815	157,5
# 791110	1415	915	207,5
# 791111	1415	1015	257,5
# 791112	1615	915	207,5
# 791113	1615	1015	257,5

Duravit AG
P.O. Box 240
Werderstr. 36
78132 Hornberg
Germany
Phone +49 78 33 70 0
Fax +49 78 33 70 289
info@duravit.com
www.duravit.com

